

KALLER®



New!



Soft-hit Striker Plate - SSP

Soft-hit Striker Plates (SSP) have been engineered to address three of the major problems that face metal stampers:

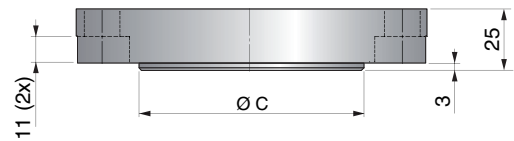
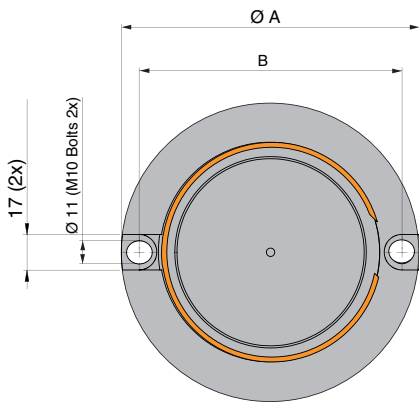
- Excessive shock loads
- High noise levels
- Poor part quality

SSP contain a specially developed dampening element that absorbs unwanted shock loads that can lead to high press maintenance, noise pollution and poor part quality.

Features:

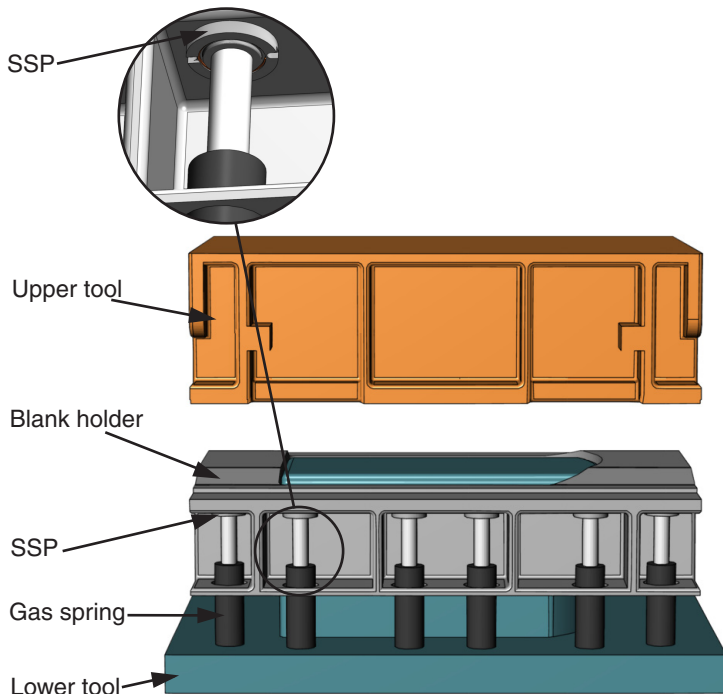
- For spring forces from 750 to 10'000 daN (kgf)
- 1 million hit service life
- Low build height
- Double countersunk mounting holes (M10)
- Hardened contact surface
- Up to 20 strokes per minute

Dimension



Model	Gas Spring Forces	Ø A	B	Ø C
SSP 1500	750 up to and including 1500	108	91	58
SSP 5000	1500 up to and including 6600	143	126	92
SSP 10 000	6600 up to and including 10000	167	150	112

Application



Patent pending

Function

