

New!

Standard Features

Safety Rod



Over-Pressure Protection

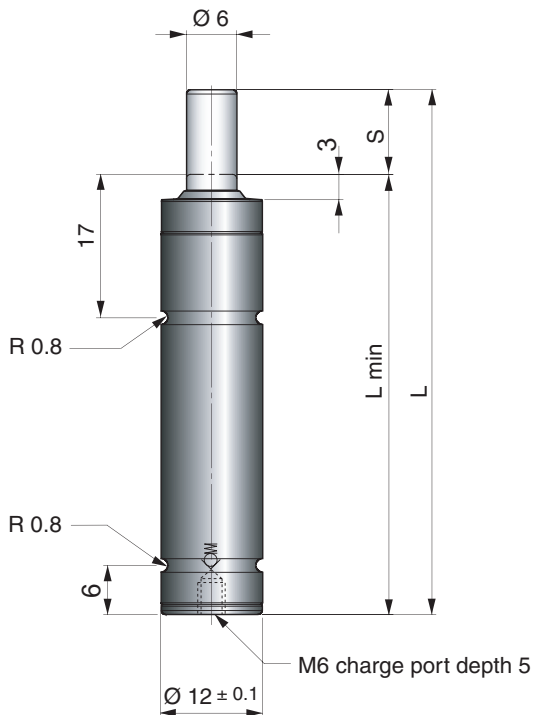


Hoseable



Gas Spring R12

Gas Spring R12



R12 gas springs are available in four pre-charged models. All R12's are adjustable by the end user. Black is used to denote charging pressures in between or below the standard colour pressure codes.

Design includes KALLER unique safety features: Over-Pressure Protection and Safety Rod.

An upper and lower C-groove together with threaded bottom hole allows various mounting possibilities using the new FCR-12 flange mount.

R12 gas springs can be hoses together using the M6 port and Micro-Hose system.

Standard Features

Safety Rod	✓
Over-Pressure Protection	✓
Hoseable	✓

How to order

Model: R12 — **R12 25-63.5** — **Stroke Length (m m)**
 (7, 10, 12.7, 15, 19, 25, 38, 50, 63.5, 75, 80, 100, 125)

Force: 13 = Green
 25 = Blue
 38 = Red
 50 = Yellow
 XX = Black, state desired force in daN

Model	Force in N at +20°C	Colour	Charging pressure [bar]	End force in N at +20°C at full stroke
	Initial			
R12 13	130	Green	45	180
R12 25	250	Blue	90	360
R12 38	380	Red	135	540
R12 50	500	Yellow	180	730
R12 XX*	60-500	Black	20-180	84-730

*Force to be set by the end user. Delivered with a pre-charge of 5 bar.

S Stroke	L ±0.25	L min	Gas vol. [l]	Weight [kg]
7	56	49	0.001	0.03
10	62	52	0.001	0.03
12.7	67.4	54.7	0.001	0.03
15	72	57	0.002	0.03
19	80	61	0.002	0.04
25	92	67	0.002	0.04
38	118	80	0.003	0.04
50	142	92	0.004	0.05
63.5	172	108.5	0.005	0.06
75	195	120	0.006	0.06
80	205	125	0.006	0.07
100	245	145	0.008	0.07
125	295	170	0.010	0.09

Basic Information

For more information, see "About gas springs" Ch. 2.1 in the main catalogue.

Pressure medium	Nitrogen
Max. charging pressure	180 bar (at 20°C)
Min. charging pressure	20 bar (at 20°C)
Operating temperature	0 - +80°C
Force increase by temperature	±0.3%/°C
Recommended max strokes/min	~40-100 (at 20°C)
Max piston rod velocity	1.6 m/s
Repair Kit	Non-repairable
Rod surface	Nitrided
Tube surface	Black oxide

Mounting Possibilities

