

NUMBERALL

STAMP & TOOL CO., INC.

USER MANUAL & PARTS LIST

MODEL

270

5/32" – 1/4" Characters

S/N:

P.O. BOX 187, 1 HIGH ST.
SANGERVILLE, ME 04479

www.numberall.com
office@numberall.com

TEL: 207-876-3541
FAX: 207-876-3566

OPTIONAL HOT STAMPING EQUIPMENT

Numberall manufactures hot stamping versions of the Models 70, 80, 83, 85, 23, and 50 Numbering Heads. Due to their hot stamping capabilities, the Model numbers are thereby referred to as Models 270, 280, 283, 285, 223, and 250, respectively. Since field applications and press equipment vary, most hot stamping numbering heads are individually modified to suit customer requirements.

All hot stamping numbering heads are designed to allow for thermal expansion. Various models have unique features to minimize friction and aid in character changes.

The Models 280, 285, and 283 have insulated turning knobs so that the wheel shaft can be rotated. The Model 283 selector knob has holes drilled in it. An insulated pin inserted into the holes allows for rotation of the selector knob.

The Model 250 has rollers on the coil return spring pins to minimize friction. A “pick” is also supplied to preset the wheels. Inserting the “pick” between each wheel and pushing, can individually rotate the wheels.

The hot stamping equipment, when purchased, includes the heating elements, a cord and switch. A temperature controller is not included unless purchased as an option. An overheated numbering head is not covered by warranty, unless wired to our proportional temperature controller. Refer to the catalog and price list for additional options to hot stamping.

Precautions

The following precautions should be observed when assembling and operating hot stamping equipment:

1. Numberall’s hot stamping numbering heads are designed to operate below 350° Fahrenheit. Operations at higher temperatures can anneal hardened parts and springs and combust insulating handles.
2. At normal operating temperatures, metal parts can burn the skin. Operational procedures and written warnings should be created and posted to protect the operator.
3. Some plastics give off harmful vapors when heated. A thorough knowledge of the materials to be stamped is essential.
4. Enclosed is a canister of special high temperature grease. When cleaning and maintaining the unit, **LIGHTLY** coat the wheel shaft and the outside of the actuating arm with the grease. The grease will improve the operation of

the unit as well as prevent corrosion that can occur with hot stamping units. Do not attempt to lubricate with any other lubricant; some lubricants will break down and leave deposits on the wheels, which can cause the wheels to bind.

5. Allow ample warm up time before stamping. A large mass of metal will heat slowly.
6. Do not attempt to clean a numbering head before disconnecting the power and allowing it to cool. The heating elements, when on, are much hotter than the flash point of most solvents.
7. Protect heater wires and thermocouple leads. These wires are fragile and could easily be broken.
8. Make sure the heaters are mounted well into the frame with no parts exposed. Exposed heater sections will overheat and could damage the element.
9. **A CLEAN HEAD IS A MUST. A MAINTENANCE SCHEDULE MUST BE DETERMINED SO THAT EXCESSIVE DOWNTIME OR DAMAGE CAN BE AVOIDED.**

When ordering parts or obtaining information, always mention the serial number.

If you have any questions or problems our sales department is at your disposal.

MODEL 270 NON-AUTOMATIC MULTI-WHEEL HEAD for 5/32” – 1/4” Characters

Operating Instructions for Hand Shank Models

- 1. CAUTION: ALWAYS WEAR SAFETY GLASSES WHEN STRIKING SHANK WITH A HAMMER BLOW.**
2. DO NOT DROP OR ABUSE THE MODEL 270. Carelessness could damage the retaining pawls or retaining pawl spring. Always lay the unit on its front side, with the retaining pawl spring facing up.
3. The wheels are rotated by means of a spanner wrench. The raised base of each character pad provides a step for the spanner wrench to grab. The Model 270 wheels can be rotated in either direction.
4. When rotating the wheels to a new character, make sure the retaining pawl is in the detent position.
5. The front of the Model 270 is the side on which the Numberall logo is stamped. This side should be toward the operator when stamping.
6. After aligning the Model 270 with your work, strike the shank with a hammer blow. The size of the hammer and the force of the blow control the depth of impression.
7. On Model 270 machines, with the wheels indexed for direct sight-reading, the stamped character sequence can be read by reading the sequence that is depicted by the arrows that are stamped on the frame. The arrows point towards characters that will do the stamping. This is the sequence that is to be stamped. The arrows are located so that a person sitting down can read the indexing correctly.

Operating Instructions for Press Models

1. When inserting the Model 270P in the press, make sure the frame bears the load. The shank should serve only to locate the Model 270P and keep it from falling out. No load should bear on the shank.
2. The front of the Model 270P is the side with the Numberall logo stamped on it. This should be facing the operator or towards the front of the press (depending on the orientation of the work to be stamped).
3. Follow the following instructions listed above: Steps 2, 3, 4, 7, and 8.

Disassembly Instructions

1. When ordering parts or requesting information, ALWAYS refer to the numbering head's serial number stamped on the right-hand side of the frame.
2. Select a clean bench that is free of dirt and grit to disassemble the Model 270.
3. Remove the pawl block machine screws (70-175-16) on the back of the unit. Then remove the pawl block cover plate (70-175-15).
4. Remove the retaining pawl spring (70-175-17). When removing, mark the outside of the spring so that it is not re-assembled incorrectly.
5. Remove the pawl block (70-175-14).
6. Remove the wheel shaft set screw(s) (70-175-7).
7. Push the wheel shaft (70-175-3) out of the frame (70-175-1). Only use a soft material, such as brass, to push on the shaft. Maintain a record of the wheel order for re-assembly.

Replacing Retaining Pawls

1. Disassemble the marking head as per above Disassembly Instructions.
2. Using the flat of the spanner wrench, carefully push the retaining pawl shaft (70-175-13) and retaining pawls (70-175-12) out of the slot in the pawl block (70-175-14). Do not bend the retaining pawls.
3. Maintain the original positioning of the retaining pawls, slide the pawls off the shaft.
4. Replace the retaining pawls as necessary and slip all of the retaining pawls onto the shaft in the original order.
5. Align the retaining pawls on the shaft so that they drop into the milled slots. Position the shaft left and right so it clears the screw holes.
6. Press the retaining pawl shaft into its slot until it bottoms. The shaft must rest on the bottom of the slot.
7. On rare occasions, when a new retaining pawl is combined with a used wheel, a very slight misalignment of the wheel, relative to the other wheels can occur. This can be corrected by honing the radius of the pawl. The radius of the pawl must remain unchanged, while the center of the radius is moved slightly. Care must be exercised not to remove too much metal; otherwise the spring tension on the retaining pawl will be reduced.

8. Factory-trained personnel can easily replace retaining pawls, so it is recommended that the numbering head be returned for service if you have difficulty with this process.

Assembly Instructions

1. Make sure the surfaces of the character wheels and parts are clean.
2. Start the wheel shaft (70-175-3) into the right-hand side of the frame (70-175-1). For models with only one wheel shaft set screw (70-175-7), make sure the proper end of the wheel shaft is started first.
3. Slide the wheel shaft part way into the frame opening. Beginning with the side washer (70-175-10), push the washer and then the wheels in the original order, onto the wheel shaft. The index plate side of the wheels should be against the side washer.
4. After all of the wheels are in place, push the wheel shaft further left until it is flush with the frame.
5. Tighten the wheel shaft set screw(s) onto the wheel shaft flats. Make sure the flats are square with the set screw ends.
6. Turn the numbering head over, with the pawl block mill cut facing up and the frame legs facing toward the operator.
7. Place the pawl block (70-175-14), with the retaining pawls and shaft in place, into the mill cut. The semi circular ends of the retaining pawls should be facing down. Make sure each retaining pawl (70-175-12) rests in its own slot.
8. Place the retaining pawl spring (70-175-17) over the pawls so that the spring tines are centered above each pawl (the marked side of the spring should be facing out).
9. Place the pawl block cover plate (70-175-15) over the spring and evenly tighten the pawl block screws (70-175-16). Make sure the pawl block is seated in the mill cut.
10. After tightening the machine screws, rotate each wheel. Every wheel should positively indent without any binding or rocking.

Recommended Spare Parts

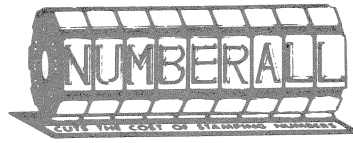
- 1 Side Washer (70-175-10)
- 2 Retaining Pawls (70-175-12)
- 1 Retaining Pawl Spring (70-175-17)
- 1 Spanner Wrench (70-175-37)
- Spare Wheels should also be stocked, depending on use and material being stamped.

NUMBERALL

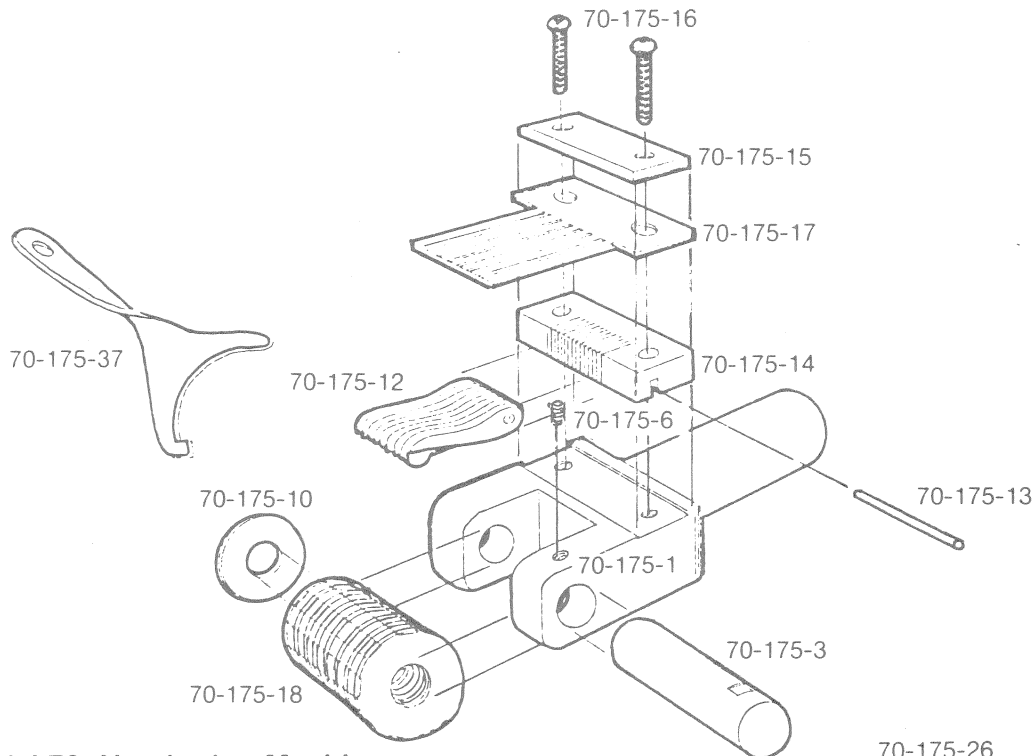
STAMP & TOOL CO., INC.

BOX 187, HIGH ST.,
SANGERVILLE, ME 04479

(207) 876-3541 FAX: (207) 876-3566



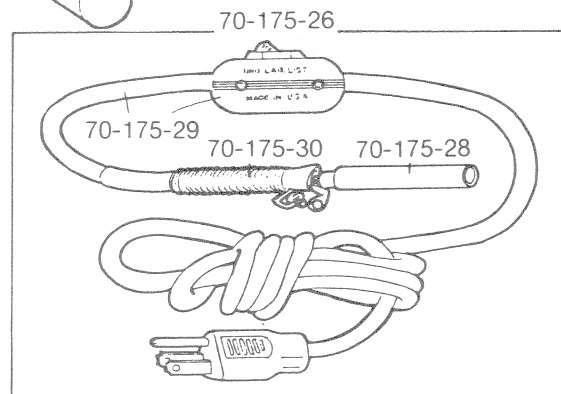
Model 70 Numbering Machine PARTS LIST



Model 70 Numbering Machine

PARTS LIST For 5/32" Through 1/4" Character Sizes

- 70-175-1 Frame
- 70-175-3 Wheel shaft (standard)
- 70-175-4 Wheel shaft (hollow for hot stamping)
- 70-175-6 Wheel shaft set screw
- 70-175-10 Side Washer
- 70-175-12 Retaining Pawls
- 70-175-13 Retaining Pawl Shaft
- 70-175-14 Pawl Block
- 70-175-15 Pawl Block Cover Plate
- 70-175-16 Pawl Block/Cover Plate Screws (2 required)
- 70-175-17 Retaining Pawl Spring
- 70-175-18 Wheels (refer to price list)
- 70-175-22 Blank Spacers
- 70-175-26 Hot Stamping Equipment
- 70-175-28 Heating Element
- 70-175-29 Cord & Switch
- 70-175-30 Coil Spring Protector
- 70-175-37 Spanner Wrench



ALWAYS SPECIFY SERIAL NUMBER WHEN ORDERING PARTS.

Numberall Stamp & Tool Co., Inc.

For extra copies of this manual please call or
visit our website.